

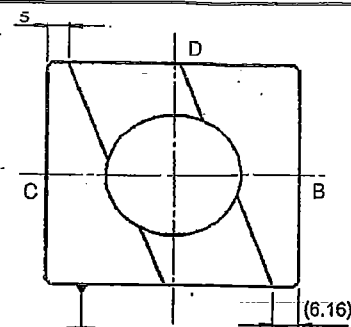
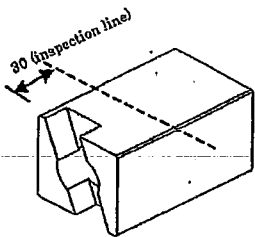
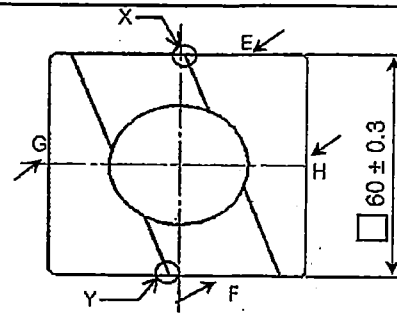




CHECKING LIST OF VERTICAL ALIGNMENT BLOCK

(DWG.# :MT510259A

Serial No.# H-T 120505

Tool (T) Ref. 025001 02MS19 02D014

CS. Written	CS. Approved	Description / Drawing	Standard	Actual Data		
		 <p>1) Perpendicular & Parallel Check</p>	$B \perp A$ ≤ 0.005	- 0.001		
			$C \perp A$ ≤ 0.005	- 0.003		
			(ค่าเฉลี่ยทั้งหมด) $D // A$ ≤ 0.005	0.001		
QC PASSED REJECTED		 <p>2) Dimension Check</p>	E, F 60 ± 0.3	59.96		
Inspected By 			Final Judged By 		G, H 60 ± 0.3	59.95
					3) Appearance Inspection <input checked="" type="checkbox"/> ไม่มีรอยขีดข่วน ✓ = QC Passed. <input checked="" type="checkbox"/> ไม่มีสนิม ✗ = Rejected <input checked="" type="checkbox"/> Keep edge $\leq 15 \mu\text{m}$ (X, Y)	

Release (CS.) : 3

Form No.# FTQC0052 Ver. 1